



Atlas Sludge Oil Tanks



Sludge Oil Mixing Tanks

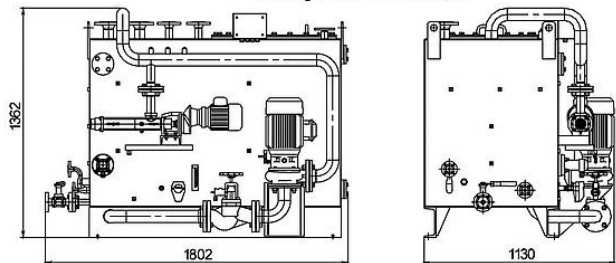
Sludge oil treatment tanks are delivered with a circulation pump and a mill pump for agitation and comminution of the tank contents.

This makes it possible to burn oil sludge with up to 50% water content, without feeding additional diesel oil to the burners or having to drain the tanks.

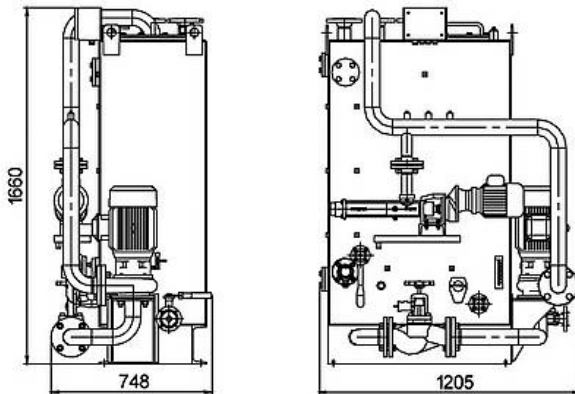
The sludge oil mixing tanks are available with heating by steam, electricity or thermal oil.

1200 liter Sludge oil mixing tank

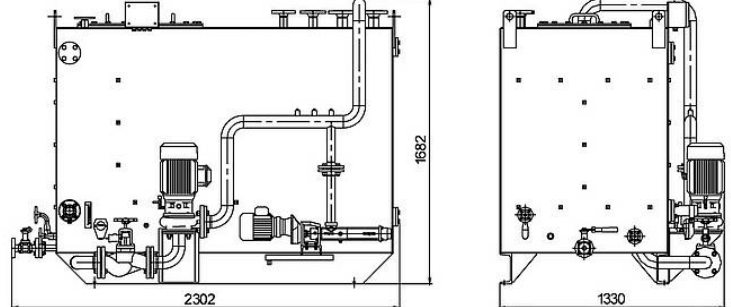
Sludge Oil Tank 1200



Sludge Oil Tank 500



Sludge Oil Tank 2600



For more information about Atlas products in TX, LA, AL and FL, Contact:

Green Marine & Industrial Equipment Co., Inc.

Louisiana office:

1111 Central Ave, Metairie, LA 70001
504-833-7386

Texas office:

340 Garden Oaks, Houston, TX 77018
713-242-9114